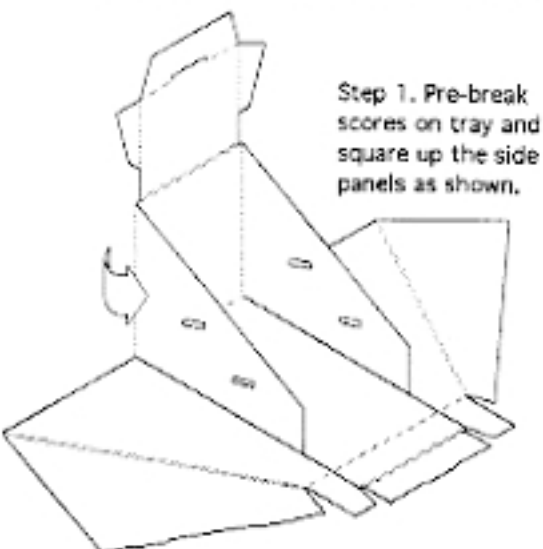
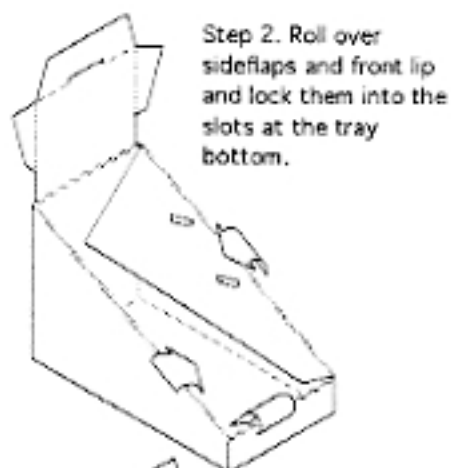


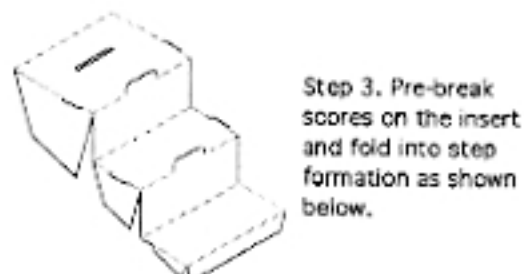
ASSEMBLY INSTRUCTIONS FOR 3-TIER 18 CD COUNTER DISPLAY



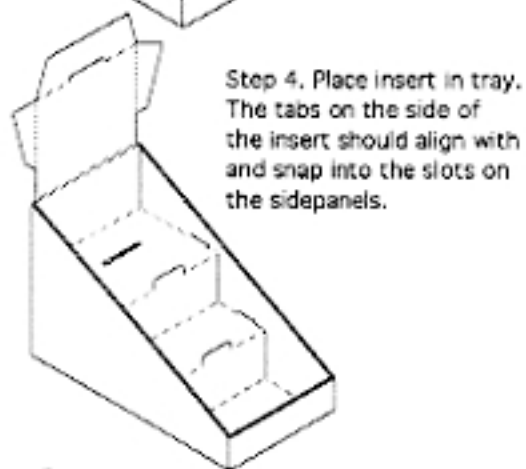
Step 1. Pre-break scores on tray and square up the side panels as shown.



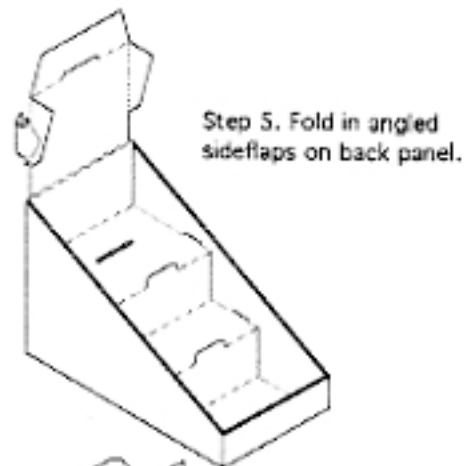
Step 2. Roll over sideflaps and front lip and lock them into the slots at the tray bottom.



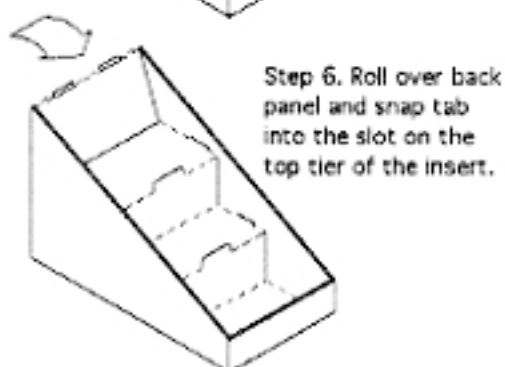
Step 3. Pre-break scores on the insert and fold into step formation as shown below.



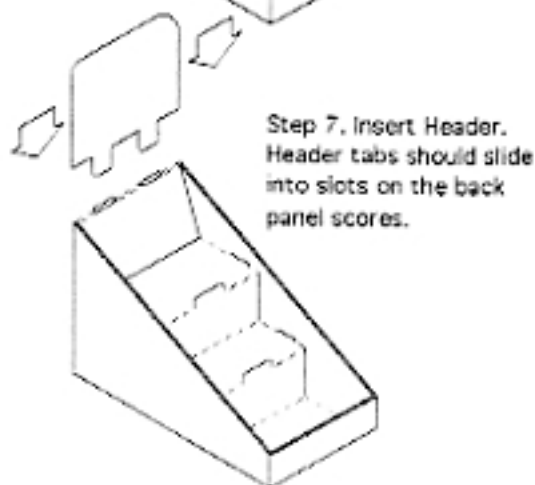
Step 4. Place insert in tray. The tabs on the side of the insert should align with and snap into the slots on the sidepanels.



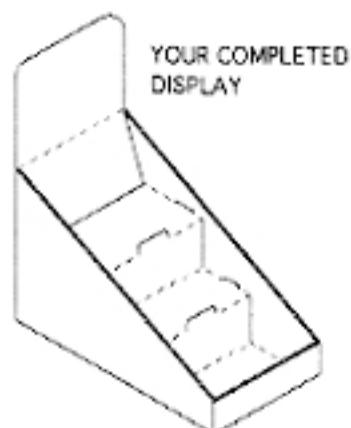
Step 5. Fold in angled sideflaps on back panel.



Step 6. Roll over back panel and snap tab into the slot on the top tier of the insert.



Step 7. Insert Header. Header tabs should slide into slots on the back panel scores.



YOUR COMPLETED DISPLAY