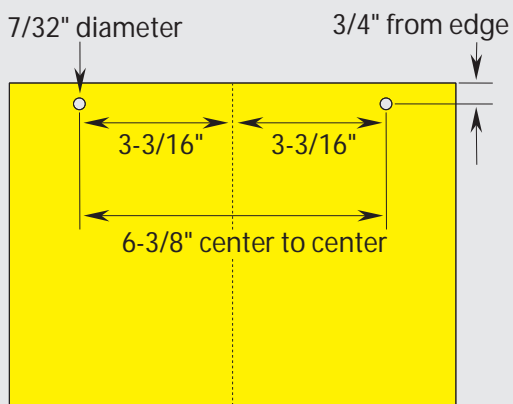


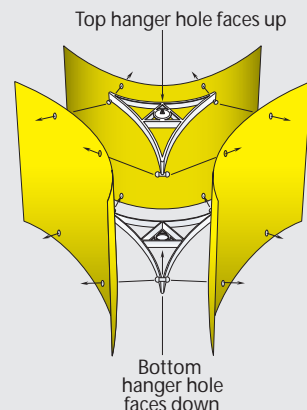
A board thickness of 10 to 24 points is recommended for all displays, 4 or 6 holes (see specifications below) are needed per panel each drilled or die-cut to 7/32" diameter. Assemble graphics panels to plastic formers by fastening ball shaped posts into holes at top and bottom of panels. Plastic formers are marked top & bottom. All panels must be of the same height, width, thickness and weight for proper balance.

Mini-Triarama® – 8600M-7204W; 8600M-7004W

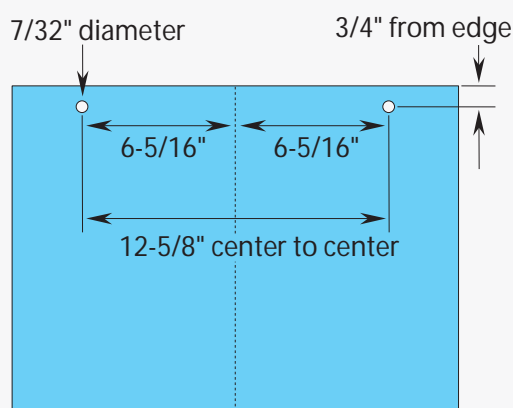


Place holes at a minimum margin of 3/4" from top and bottom edges of panel, spaced at 6-3/8" apart on center, with each hole 3-3/16" to each side of the panel's center line.

Requires 3 panels
10" to 24" wide.

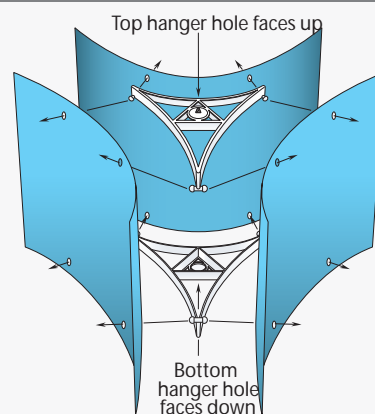


Triarama® – 8600-7204W 8600-7004W

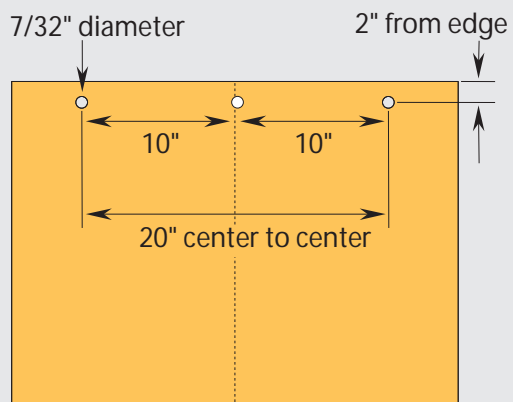


Place holes at a minimum margin of 3/4" from top and bottom edges of panel, spaced at 12-5/8" apart on center, with each hole 6-5/16" to each side of the panel's center line.

Requires 3 panels
15" to 40" wide.

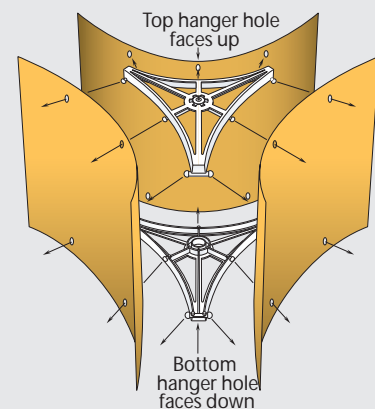


Megarama® – 8600MEG

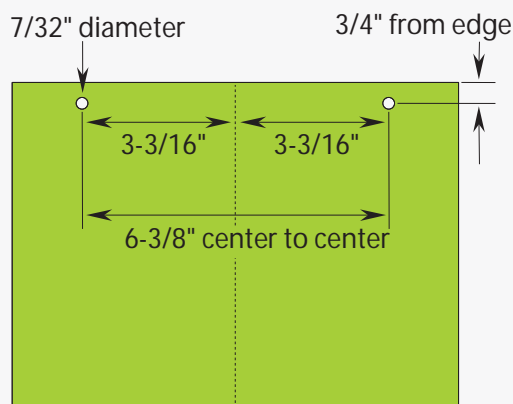


Place holes at a minimum margin of 2" from top and bottom edges of panel, spaced at 20" apart on center, with each hole 10" to each side of the panel's center line.

Requires 3 panels
30" to 60" wide.



Quadrama® – 8602-7204W; 8602-7004W



Place holes at a minimum margin of 3/4" from top and bottom edges of panel, spaced at 6-3/8" apart on center, with each hole 3-3/16" to each side of the panel's center line.

Requires 4 panels
12" to 24" wide.

