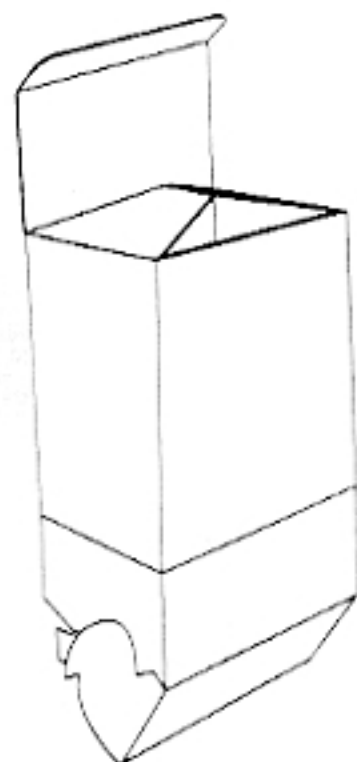
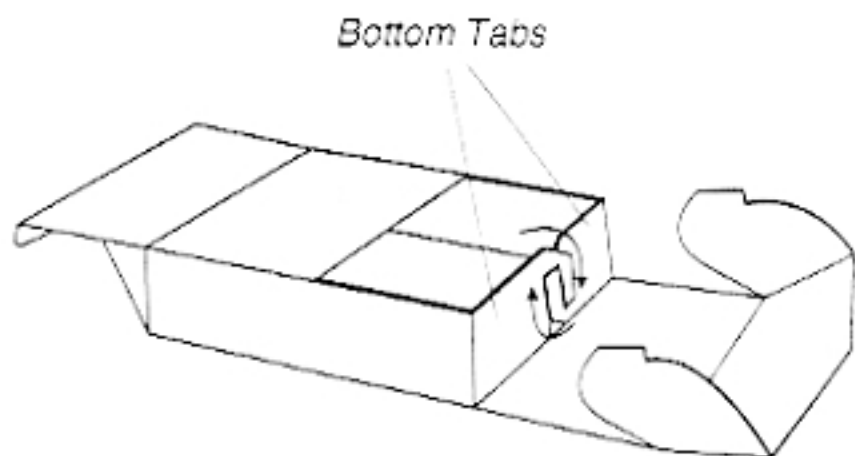


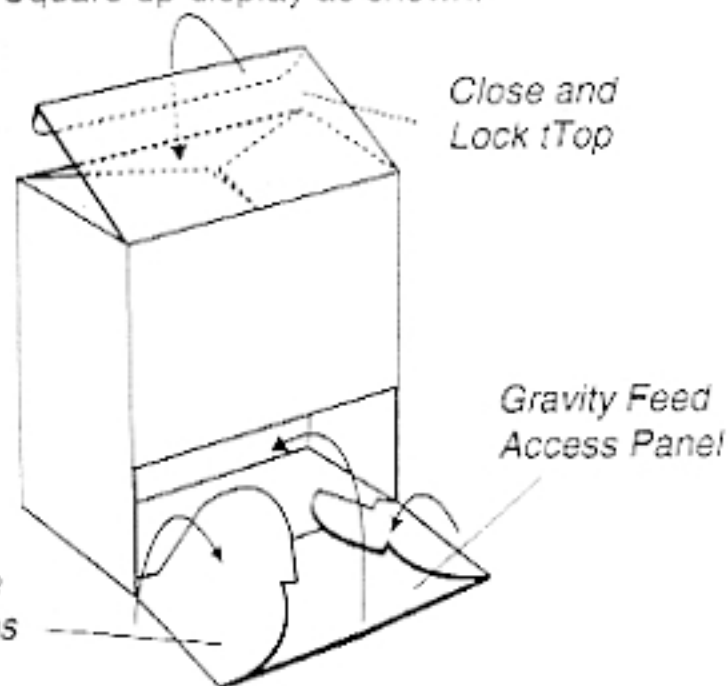
Set Up Instructions For Your Gravity Feed Counter Display SDC-85



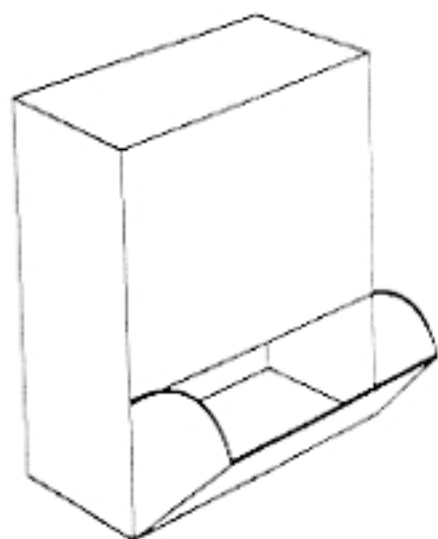
1. Square up display as shown.



2. Lock bottom tabs on display as shown.



3. Fold side flaps on gravity feed access panel in as shown. Close gravity feed access panel, allowing side flaps to spring outward to secure. Close top of display as shown.



Your Completed Display